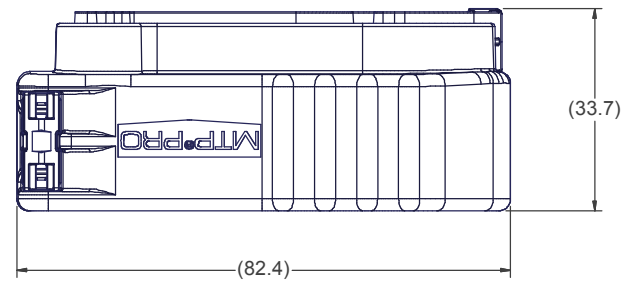
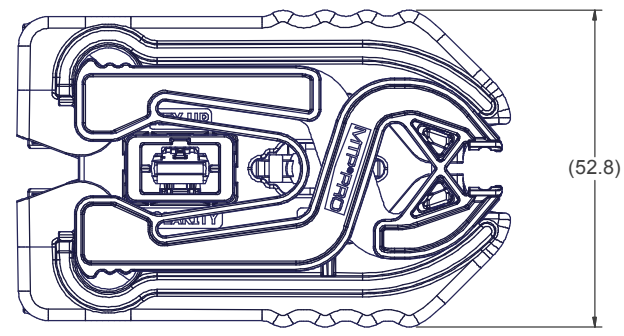
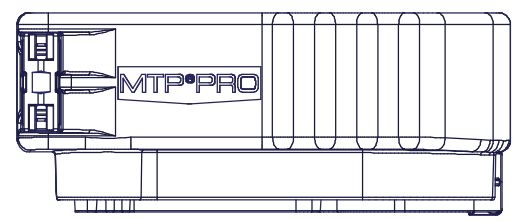
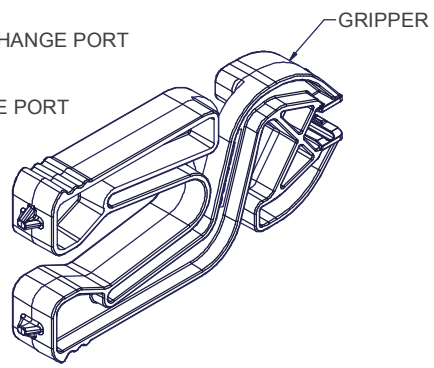
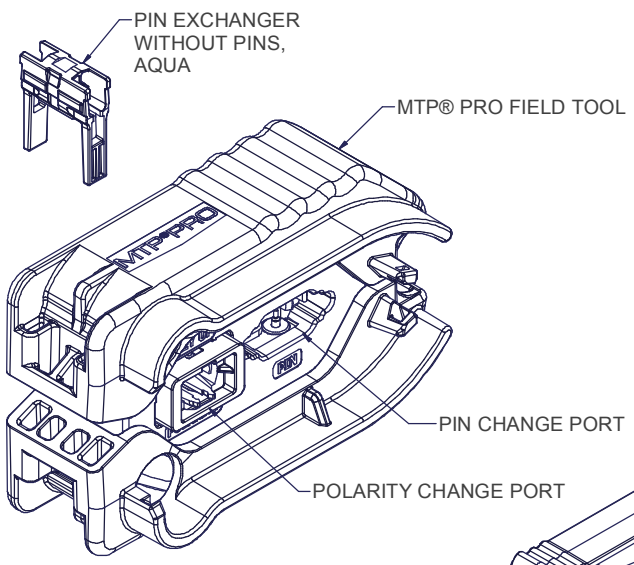


6 5 4 3 2 1

D
C
B
A



▲ DENOTES CRITICAL DIMENSION

PART	MATERIAL
TOOL BODY	PC
GRIPPER	PEI
PIN EXCHANGERS	PEI & STAINLESS STEEL

USCONEC LTD. PROPRIETARY
THIS DOCUMENT AND THE ASSOCIATED DATA CONTAIN RESTRICTED INFORMATION THAT IS USCONEC LTD. PROPERTY. DISCLOSE OR DUPLICATE FOR OTHERS ONLY AS AUTHORIZED BY USCONEC LTD.

Material: SEE TABLE

REV.	DATE	DESCRIPTION	ECN
X1	2/27/17	-	mm
X2	5/4/17	REVISED DESCRIPTION... GRIPPER was PLIERS	my
A	8/16/17	INITIAL RELEASE	2077-mm
	11/9/17	ADDED MATERIAL TABLE	
B	2/22/18	ADDED EXPLODED VIEW	

CUSTOMER DRAWING

DIMENSIONS FOR REFERENCE ONLY

THIRD ANGLE PROJECTION

METRIC/mm

USCONEC

Hickory, NC
800-769-0944
www.usconec.com

TITLE
FIELD TOOL, POLARITY/PIN,
MTP® PRO

SIZE	S&M Part No.:	DWG NO.	REV
A3	18814	C18814	B
SCALE	Drafter	Date:	SHEET
N.T.S.	M. McCROSKEY	2/27/2017	1 OF 1

6 5 4 3 2 1